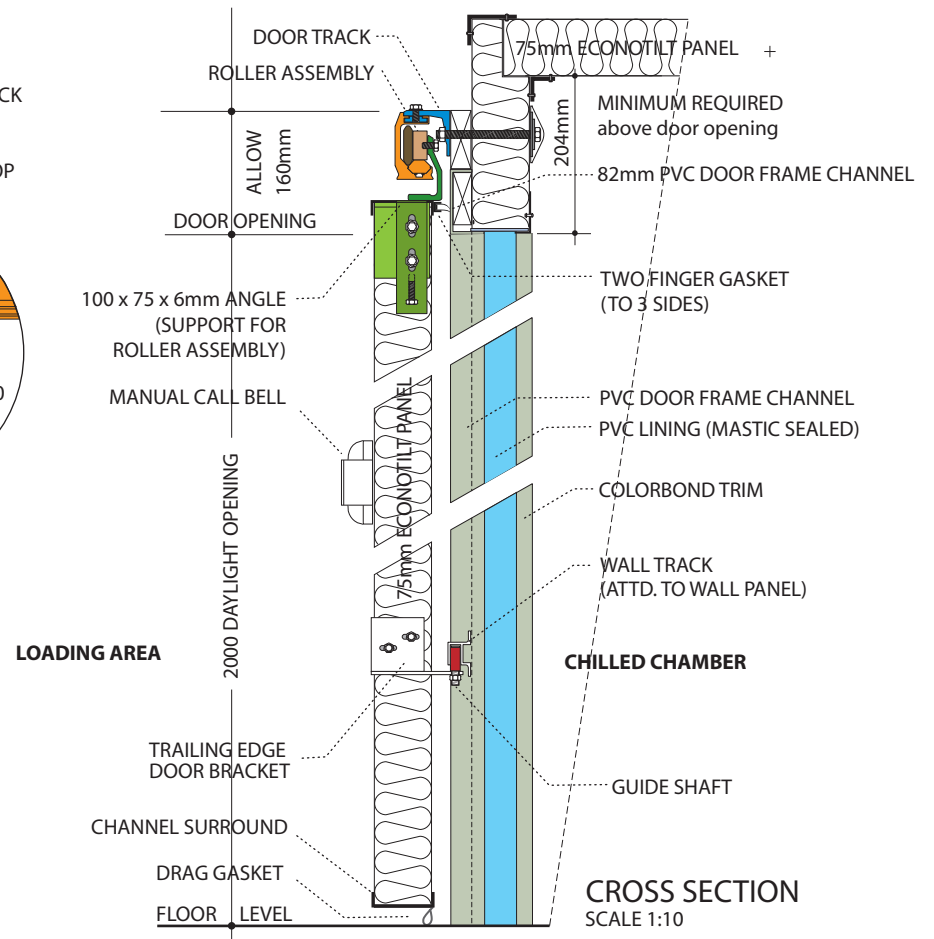
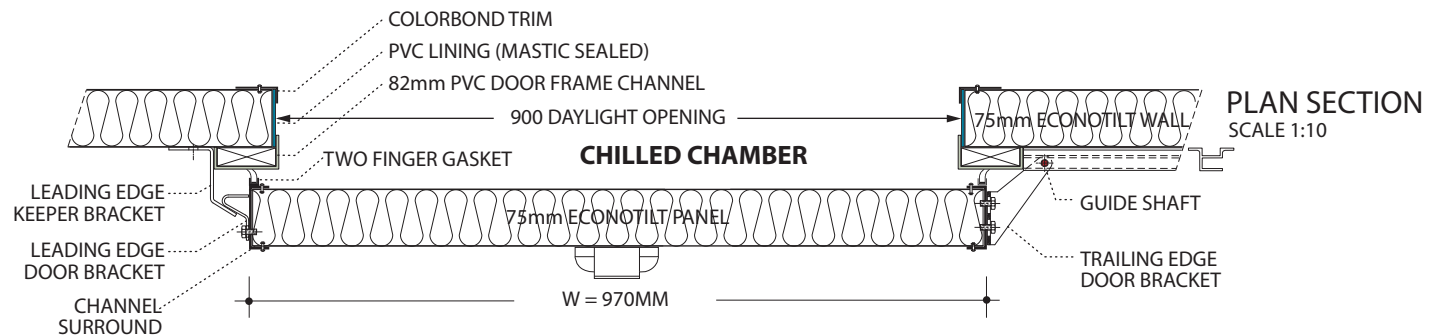


**EXTERNAL ELEVATION**

SCALE 1:20



**CROSS SECTION**  
SCALE 1:10



**PLAN SECTION**  
SCALE 1:10

THIS DRAWING IS THE PROPERTY OF AUSTRAL INSULATION AND MAY NOT BE REPRODUCED IN WHOLE OR IN PART WITHOUT THEIR PRIOR WRITTEN CONSENT.

ALL COPYRIGHT RESERVED.

**FEATURES OF THE FERMOD DOOR**

- Enclosed track allows door to drop to floor level on closing.
- Wall track & trailing edge bracket keeps door vertical.
- Door thresholds are unobstructed by any roller guides.

**DOOR DETAILS**

**Typical Standard Sliding Coolroom**

Option of 900 or 760mm wide Clear Opening

Drawn RMC/SDH  
Date 22.01.09  
Rev.  
Checked  
Drng. AI-FC-01  
E3 (a)

